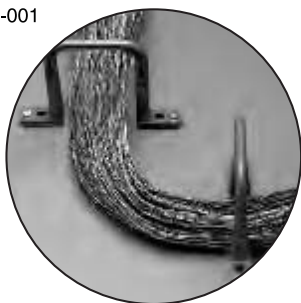
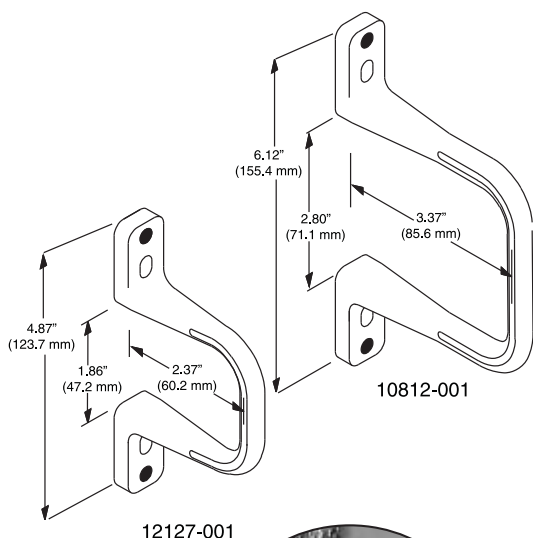


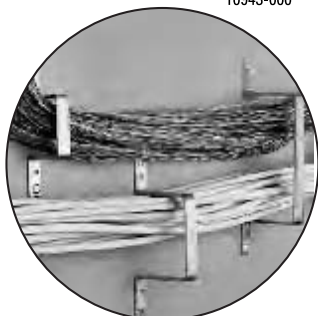
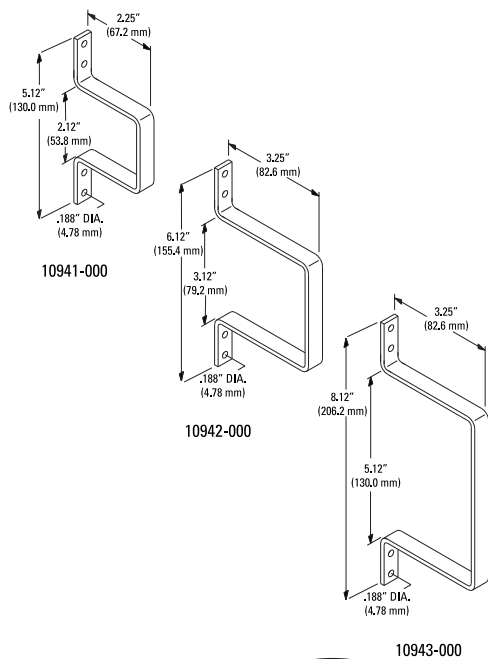
Closed Composite Distribution Rings

With Distribution Rings all your wiring and cabling can now be neatly and easily organized and managed. Designed to support cable and wire in communication closets, on backboards, equipment racks or wherever cable runs are required. The versatile brackets are made of high-strength, fire-retardant composite material. Rounded edges prevent damage to cable and wire insulation while providing easy pull-through. Mounting hole configuration allows brackets to be attached to most surfaces including our equipment racks. Color is compatible with most equipment. Mounting hardware not included.

- Strong, lightweight, fire-retardant composite material construction
- Easy to install onto CPI equipment racks or backboards
- Rounded shape eliminates cable nicks, great for wire pulling
- Color: gray finish
- Sold individually and in quantities of 100



Part Number	Description Width in (mm)	Shipping Weight lb (kg)
12127-001	2 (50) Closed "D" Ring	1 (0.5)
12127-011	Carton of 100	6 (2.7)
10812-001	3 (80) Closed "D" Ring	1 (0.5)
10812-011	Carton of 100	9 (4.1)



Metal D-Rings

A convenient and economical way to route, support and secure cables and jumper wires in terminal closets or wherever cable runs are required.

- Offered in three standard sizes
- Made from 1/8" x 1/2" (3.18 mm x 13 mm) hot-rolled steel strap with zinc plating to resist corrosion
- Ring edges are rolled to prevent nicks and scratches in the cable and wire insulation
- Sold individually and in quantities of 100
- Mounting hardware not included

Part Number	Description	Shipping Weight lb (kg)
10941-000	Small	1 (0.5)
10941-010	Small, box of 100	16 (7.3)
10942-000	Medium	1 (0.5)
10942-010	Medium, box of 100	22 (10.0)
10943-000	Large	1 (0.5)
10943-010	Large, box of 100	24 (10.9)