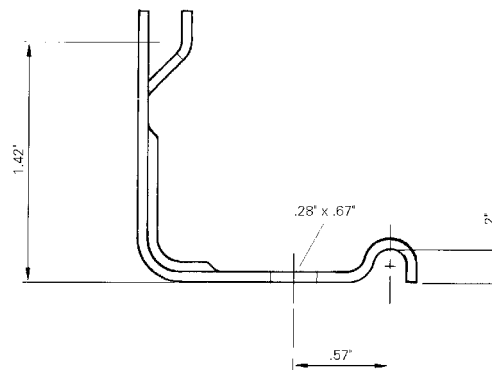
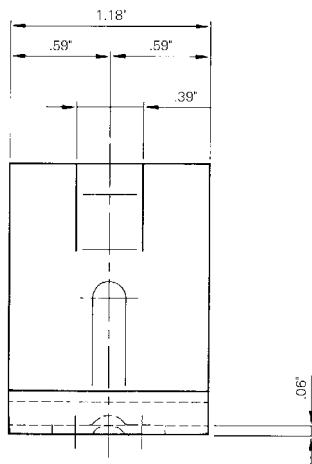
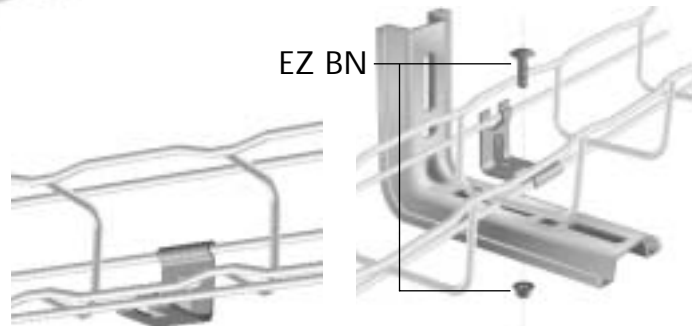
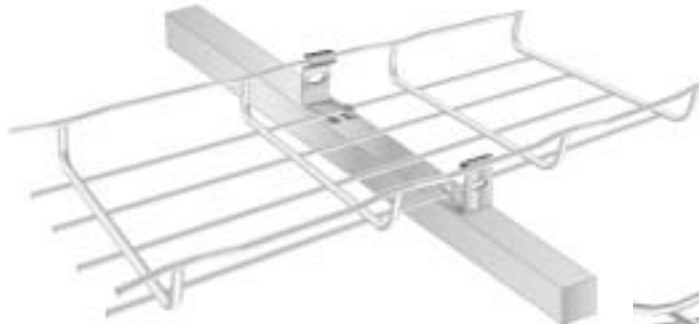
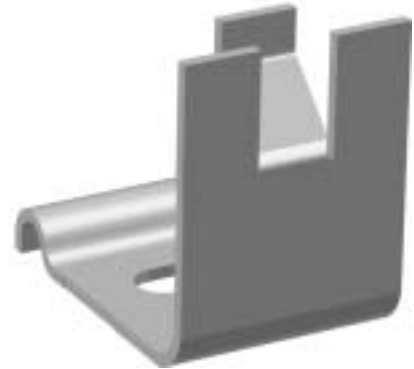


CAT – Snap in Wall Hanger Support

EZTray™

- Attaches 2" tray to wall.
- No screws required for tray attachment. Just snap in place.
- Corrosion resistant pre-galvanized finish.
- Can be used to support EZ Tray to channel framing or to walls, etc.



Part #	Description	lb.	Pk. qty.
CAT 30	Snap-In Wall Hanger Support	0.1	1

CABLOFIL INC.

INNOVATORS IN CABLE MANAGEMENT

tel 618-566-3230
 800-658-4641
 fax 618-566-3250
 www.cablofil.com