

CS Bracket

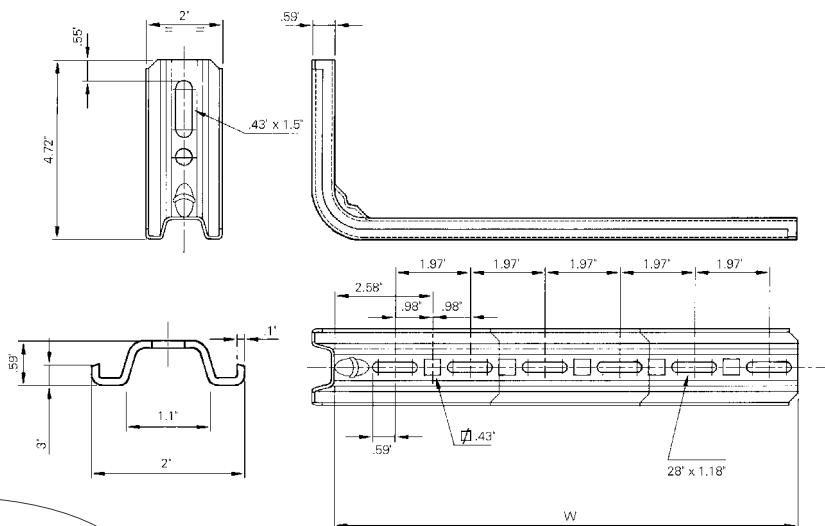
EZTray™

- For cable tray installation onto walls, to ceilings, or attachment to underfloor pedestals.
- For use with cable tray widths up to 12".
- To secure tray to support:
Use 1 fastener set (1 CE 25, 1 EZ BN 1/4 combo) for widths up to 8". Use 2 fasteners for widths up to 12".
- Corrosion resistant pre-galvanized finish.



EZ BN 1/4
(sold separately)

CE 25
(sold separately)



Part #	Description	W	lb.	Pk. qty.	Safety load
CS 100	4" L Bracket	4" (100mm)	0.5	1	259
CS 200	8" L Bracket	8" (200mm)	0.9	1	216
CS 300	12" L Bracket	12" (300mm)	1.2	1	108

CABLOFIL ^{INC.}

INNOVATORS IN CABLE MANAGEMENT

tel 618-566-3230
800-658-4641
fax 618-566-3250
www.cablofil.com