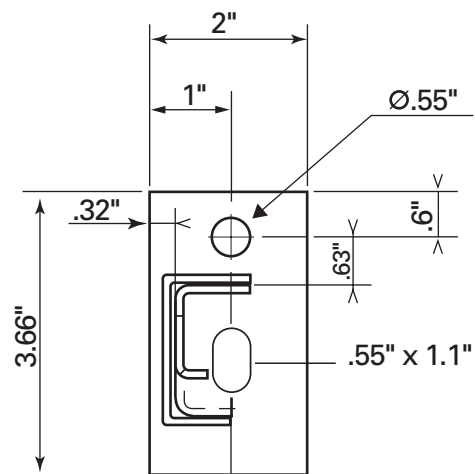
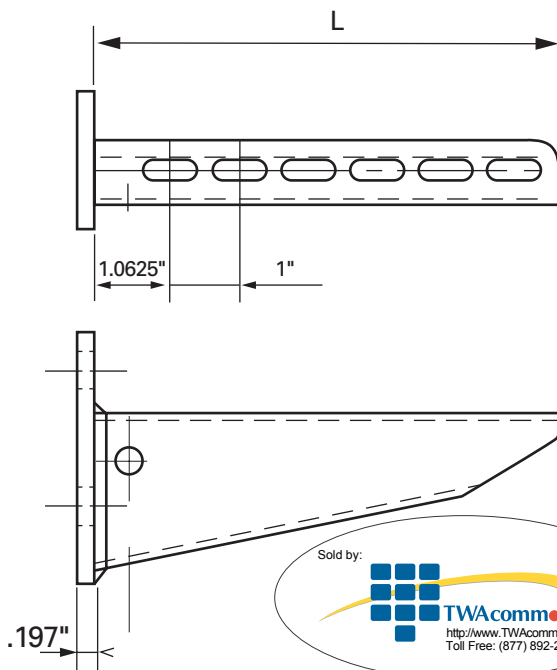
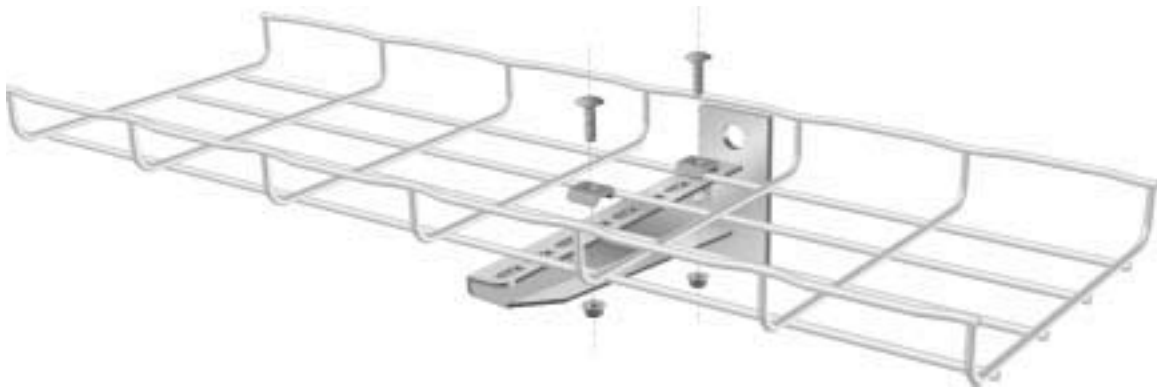
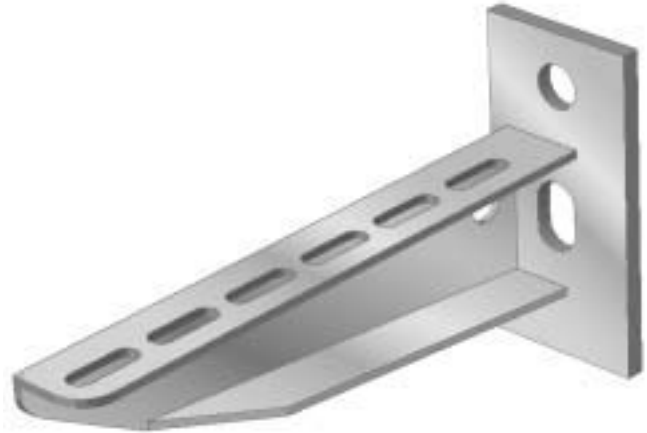


CRP Reinforced Bracket

- Hot dipped galvanized before fabrication for corrosion resistance.
- Fits on I 5/8" wide channel framing.
- To secure tray to support: Use 1 fastener set (EZ BN 1/4 and CE 25) for tray widths up to 8". Use 2 fasteners for tray widths up to 12".
- Nuts, bolts and washers sold separately.



Part #	Description	in.	lb.	Pk. qty.
CRP 400	CRP Reinforced Bracket	16"	1.7	1
CRP 500	CRP Reinforced Bracket	20"	2.0	1
CRP 600	CRP Reinforced Bracket	24"	2.9	1

CABLOFIL ^{INC.}

INNOVATORS IN CABLE MANAGEMENT

tel 618-566-3230
800-658-4641
fax 618-566-3250
www.cablofil.com