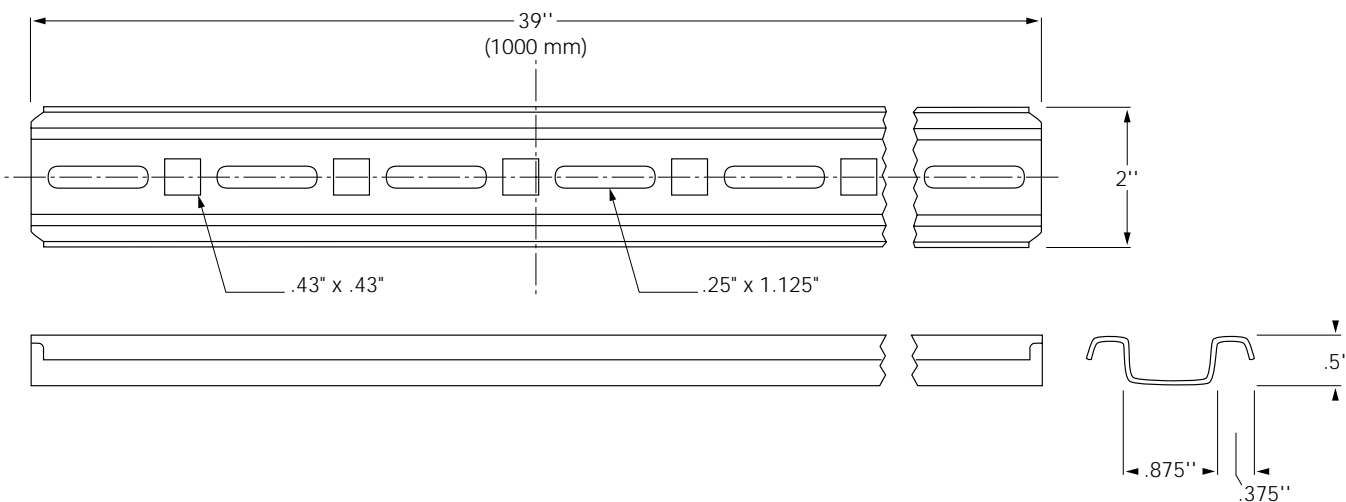
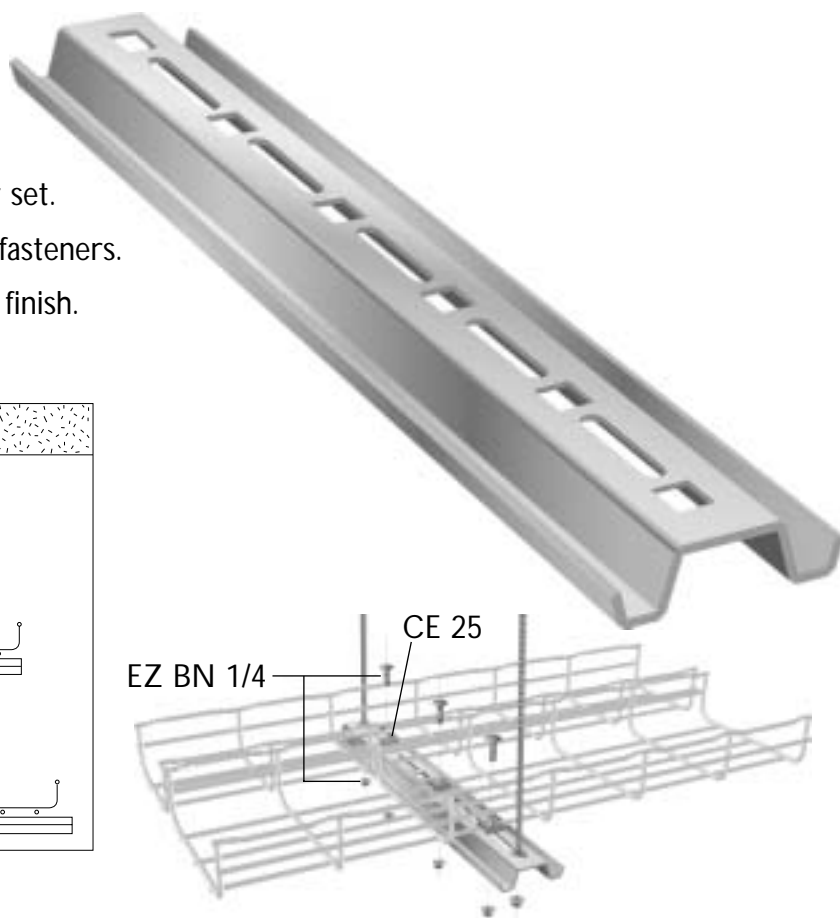
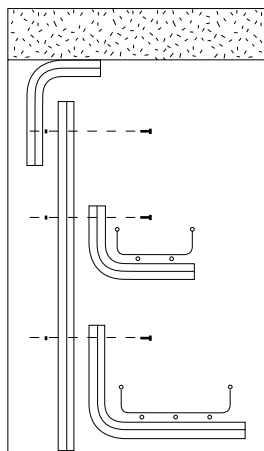


# CS Profile

**EZTray™**

- For trapeze mounting to ceilings.
- Use with tray widths up to 24".
- For widths up to 8", use 1 fastener set.
- For 12", 16" and 18" widths, use 2 fasteners.
- Corrosion resistant pre-galvanized finish.
- Can be cut to size on site.
- Square holes accept up to 3/8" rods.
- Can be used in conjunction with CS brackets for multi level EZ Tray installation from ceilings.



**CABLOFIL** INC.  
 INNOVATORS IN CABLE MANAGEMENT

Part #	Description	lb.	Pk. qty.
PRO CS 1000	39" Standard Profile (1000mm)	2.6	1

tel 618-566-3230  
 800-658-4641  
 fax 618-566-3250  
 www.cablofil.com