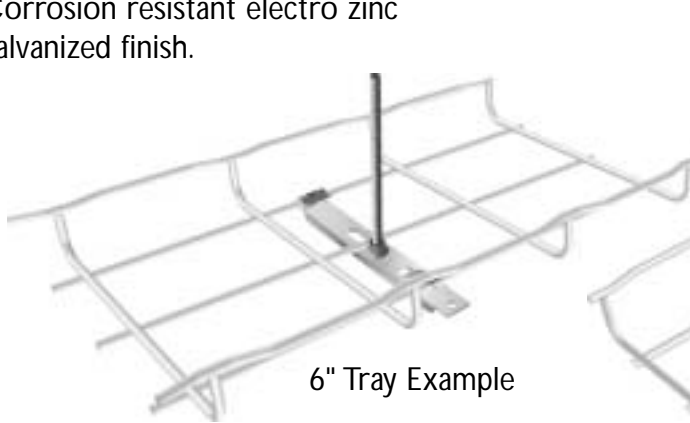


SAS System – Single Hanger Suspension Bracket **EZTray™**

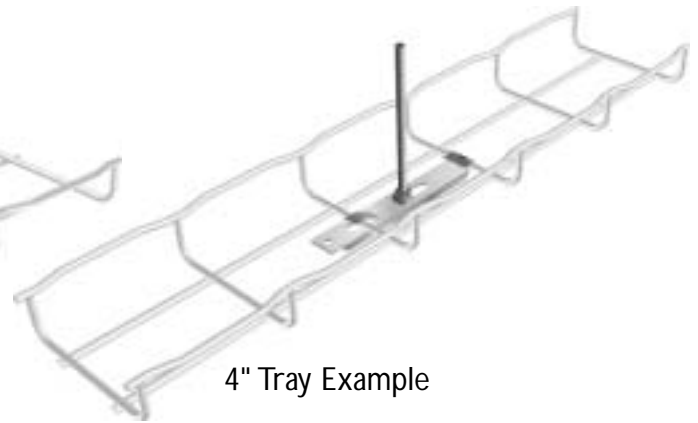
- For center hung mounting of 4" and 6" wide EZ Tray. (use with 1/4" threaded rod)

- Snap in attachment requires no bolts, nuts, or tools to attach EZ Tray.

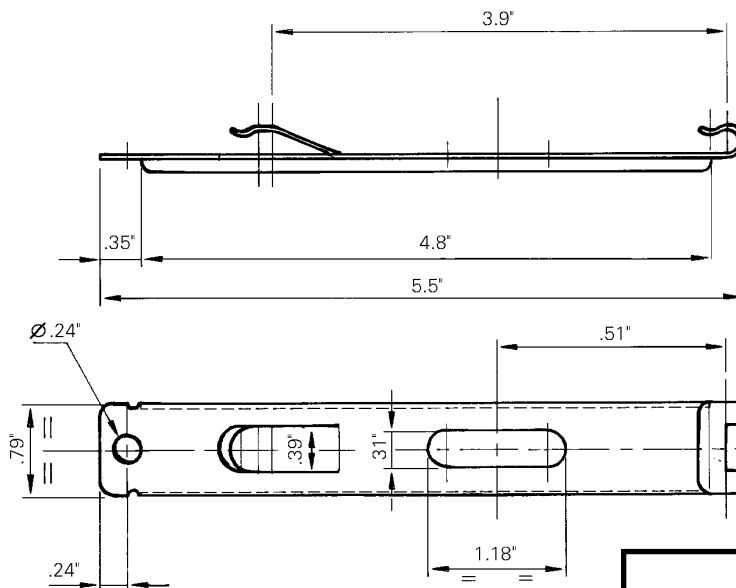
- Corrosion resistant electro zinc galvanized finish.



6" Tray Example



4" Tray Example



Part #	Description	lb.	Pk. qty.
SAS	Single Hanger Suspension Bracket	.07	1

CABLOFIL ^{INC.}
 INNOVATORS IN CABLE MANAGEMENT

tel 618-566-3230
 800-658-4641
 fax 618-566-3250
 www.cablofil.com