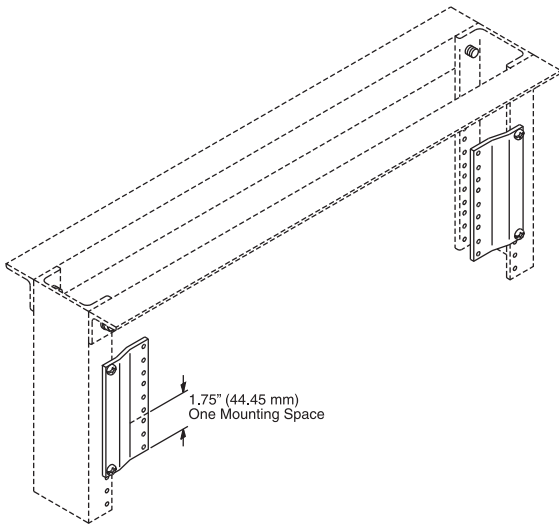


Rack Panel Adapters (Pair)



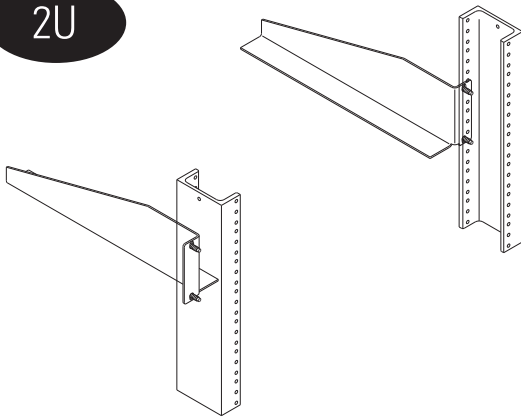
Allows 19"W equipment to be mounted on a 23"W rack.

- Universal 5/8" - 5/8" - 1/2" (15.9 mm - 15.9 mm - 12.7 mm)
- Joggled so that installed panels fit flush

Part Number	Description Height in (mm)	Shipping Weight lb (kg)
31410-X00	Adapter, Pair, 1U, 1.71 (43.4)	1 (0.5)
31420-X00	Adapter, Pair, 2U, 3.46 (87.9)	1 (0.5)
31430-X00	Adapter, Pair, 3U, 5.21 (132.3)	1 (0.5)
31440-X00	Adapter, Pair, 4U, 6.96 (176.8)	1 (0.5)
31450-X00	Adapter, Pair, 5U, 8.71 (221.2)	1 (0.5)

X=color: 1=Gray, 2=White, 5 = Clear, 7=Black

2U



Sold in pairs. Attachment hardware not included.

Equipment Support Bracket

The Equipment Support Bracket mounts on the rear of the rack channel to provide safety and additional support for deep or heavy electronic equipment panel or rack mounted on CPI Racks.

- Supports electronic equipment up to 24"D (610 mm) and weighing up to 60 lb (27.2 kg)
- Made of strong, lightweight aluminum
- Overall depth is 13" (330 mm); chassis support lip is 1.5"W (38 mm)
- Fits all EIA standard hole pattern rack channels

Part Number	Description	Shipping Weight lb (kg)
12312-X01	Pair of Brackets	2 (0.9)

X=color: 1=Gray, 2=White, 5=Clear, 7=Black

RMU Label Kits



Easy-to-read numbers take the guesswork out of aligning components.

- Two kits are available: 1-45U for 7' (2.1 m) racks and cabinets, 1-58U for 8' or 9' (2.4 m or 2.7 m) racks and cabinets
- Kit contains four individual label packs, enough for four racks or four cabinets
- Labels are constructed of 1/2"W (10 mm) durable polyester film with adhesive backing and are black with rack-mount unit numbers printed in white



Part Number	Description	Shipping Weight lb (kg)
11927-001	1-45U Label	1 (0.5)
11927-002	1-58U Label	1 (0.5)