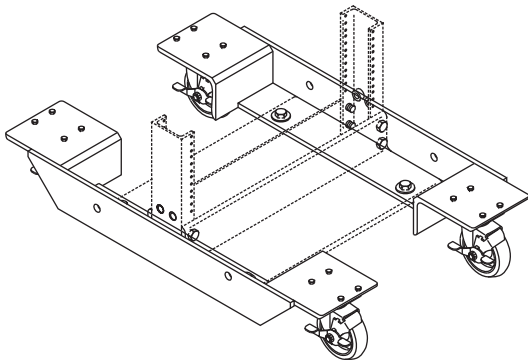


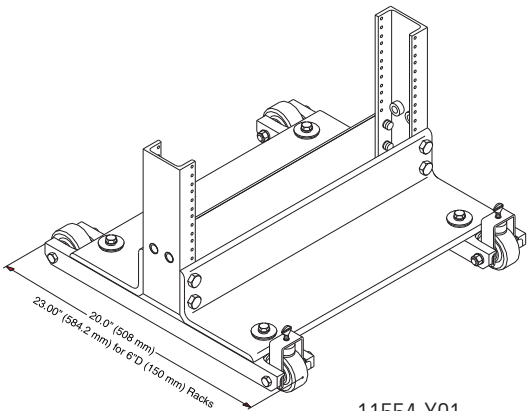
11643-X01

Note: Vertical cabling sections cannot be used on dolly-equipped racks. Also, dolly will not fit 6"D (150 mm) Standard Rack.



10175-X00

Note: Vertical cabling sections cannot be used on dolly-mounted racks. Can be used with Universal, 3"D (80 mm) Standard or 6"D (150 mm) Standard Racks.



11554-X01

Mid-Size Rack Dolly

Full swivel capability allows rack to be easily moved, providing access to equipment. The front wheel locks to prevent unintentional movement. Mounts to most CPI Universal and Standard Racks and adds 1-1/4" (31.8 mm) to rack's height. Two-piece construction of 1/4" (6.4 mm) aluminum complete with hardware. Sold in pairs, load capacity 750 lb (340.2 kg).

Rack Universal Dolly Wheels

Allows rack to be moved, providing access to equipment. Wheels may be locked to prevent moving during assembly stages. Holds any width CPI Universal or Standard Rack. Two-piece construction of 3/8" (9.53 mm) aluminum complete with rack-mounting hardware. Supports up to 1000 lb (453.6 kg). Note: Not to be used with enclosures.

Rack Standard Rollers

Mount to CPI Universal and Standard racks, regardless of width. Fixed rollers prevent rack from accidental turning. Adds 2" (50 mm) to rack's height. Ships complete with installation hardware. Supports up to 500 lb (226.8 kg).

Part Number	Description	Shipping Weight lb (kg)
11643-X01	Mid-Size Rack Dolly	24 (10.9)
10175-X00	Universal Dolly Wheels	20 (9.1)
11554-X01	Rack Standard Rollers, For 3"D (80 mm) Rack Channel	8 (3.6)
11554-X03	Rack Standard Rollers, For 6"D (150 mm) Rack Channel	8 (3.6)

X=color: 1=Gray, 2=White, 5 = Clear, 7=Black