

Rack Width	A in (mm)
19"	14.57 (370.1)
23"	18.57 (471.1)

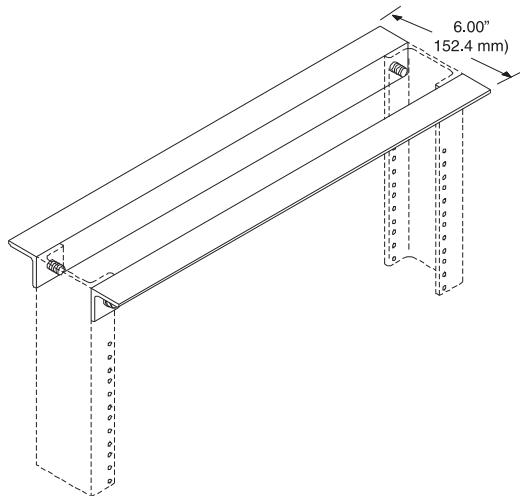
## Heavy Duty Top Angle

Optional top angle for CPI Universal, 3"D (80 mm) Standard or 6"D (150 mm) Standard Rack.

- Material is aluminum extrusion
- Top Angle is L-shaped, 1-1/2" x 2" x 1/4" (38 mm x 51 mm x 6.4 mm) thick
- Recommended for use in pairs with 10562-001 Universal Earthquake Bracing Kit
- Sold individually

Part Number		Shipping Weight lb (kg)
19" Rack	23" Rack	
10473-X01	10473-X02	3 (1.4)

X=color: 1=Gray, 2=White, 5=Clear, 7=Black



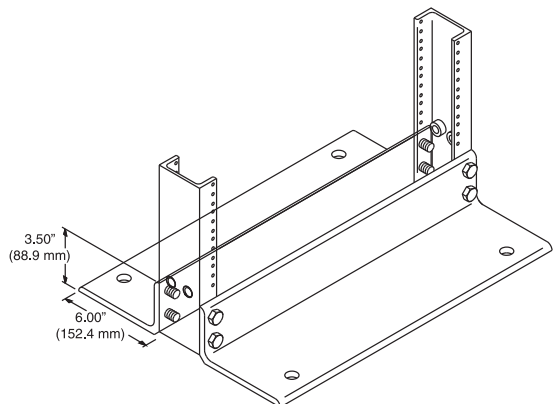
## Top Angle

Optional top angles for CPI Universal Rack.

- Material is aluminum extrusion 1-1/2" x 1-1/2" x 1/4" (38 mm x 38 mm x 6.4 mm)
- Sold individually

Part Number		Shipping Weight lb (kg)
19" Rack	23" Rack	
10375-X01	10375-X02	3 (1.4)

X=color: 1=Gray, 2=White, 5=Clear, 7=Black



## Base Angle

Optional base angle for CPI Universal Racks.

- Material is aluminum extrusion 3-1/2" x 6" x 3/8" (89 mm x 150 mm x 9.53 mm)
- Sold individually

Part Number		Shipping Weight lb (kg)
19" Rack	23" Rack	
41021-X01	41021-X02	10 (4.5)

X=color: 1=Gray, 2=White, 5=Clear, 7=Black