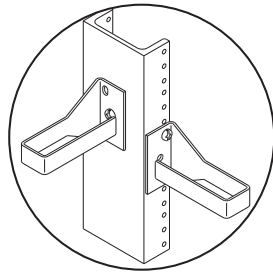
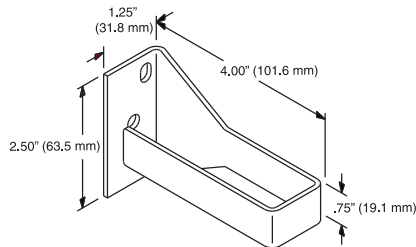
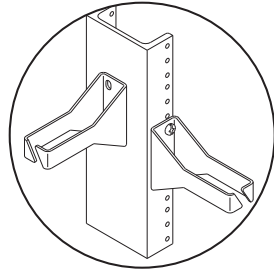
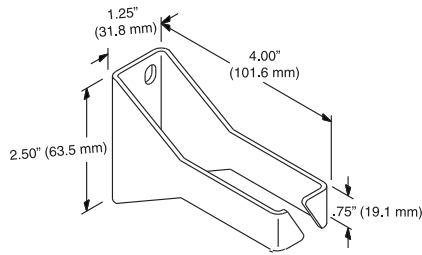


VERTICAL CABLE MANAGEMENT



Narrow Cable Ring

Attaches to walls or racks where width is limited. Holds and dresses vertical cable runs. Mounting hardware not included.

- Made of aluminum with rounded edges to reduce cable insulation damage
- Narrow Cable Ring is 2.50" H x 1.25" W x 4.00" D (63.5 mm x 31.8 mm x 101.6 mm)
- Sold individually or box of 100

Part Number		Description
Individually	Box of 100	
11228-X01	11228-X11	Narrow Cable Ring

X=color: 1=Gray, 2=White, 5=Clear, 7=Black

Narrow Cable Loop

Use these cable loops to hold and dress cable vertically. Attach to walls or racks where width is limited. Mounting hardware not included.

- Made of aluminum with rounded edges to reduce cable insulation damage
- Narrow Cable Loop is 2.50" H x 1.25" W x 4.00" D (63.5 mm x 31.8 mm x 101.6 mm)
- Sold individually or box of 100

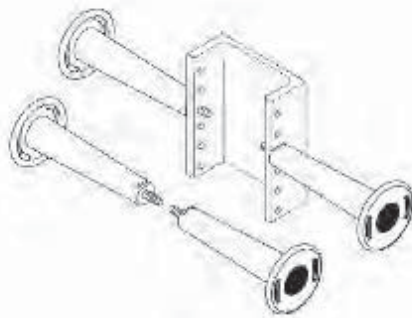
Part Number		Description
Individually	Box of 100	
11230-X01	11230-X11	Narrow Cable Loop

X=color: 1=Gray, 2=White, 5=Clear, 7=Black

Cable Distribution Spools

Cable Distribution Spools promote a gradual bend for cable runs to aid in complying with ANSI/TIA/EIA-568B bend radius requirements (typically 4X the cable diameter). Routes all types of cabling from horizontal to vertical or vice-versa.

- The kit includes a #12-24 rack screw and a wood screw for use with the 4" (100 mm) spool
- Made of high-impact plastic



15002-001

Part Number		Description
Individually	Box of 100	
15002-001	15002-002	4" (100 mm) Cable Spool