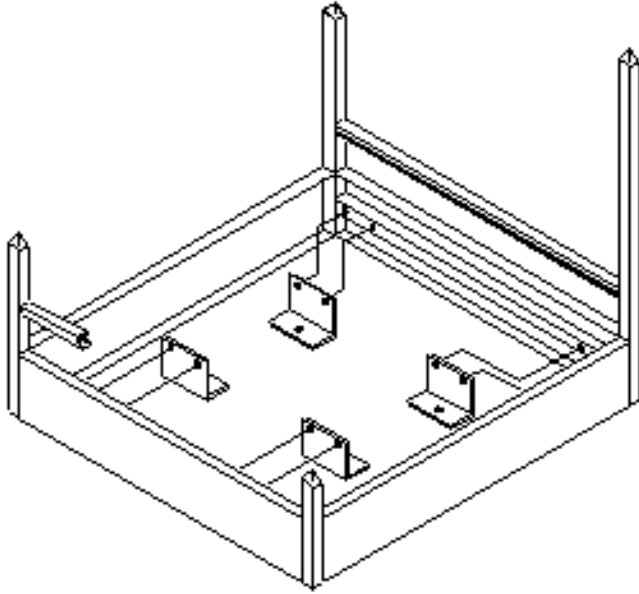


## Seismic Brace Kit



### Features

- Mounts to any SWDP freestanding cabinet
- Heavy duty structural angle construction
- Hardware to mount to cabinet provided
- Floor mounting hardware not provided

### Specifications

- Sold in sets of (4)
- Bolts to cabinet

Copyright © 2004 Southwest Data Products

