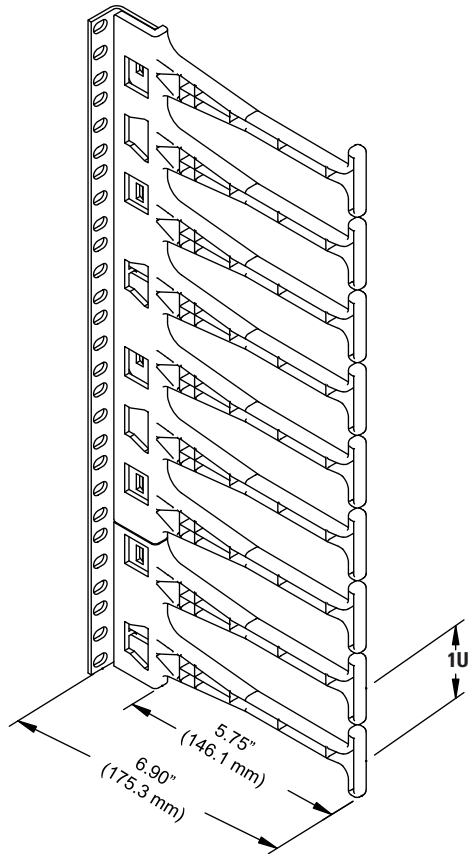


Extended Fingers Bracket

Extended Fingers Bracket provides extra-deep cable management capacity for applications that require large cable bundles or thick cable.

Extra space also improves cable bend radius management, meeting or exceeding the needs of the latest Category 5e/6/6a or fiber industry standards. It is a cost-effective accessory for cable management in specific areas of the rack rather than along its entire height.

- It is preassembled in 7U, 9U and 13U heights for mounting directly onto any industry-standard rack
- Patented cable guide fingers at 1U intervals provide an organized cable pathway
- Made of durable, flame-retardant (UL 94V-0) plastic for environmental safety
- Sold individually

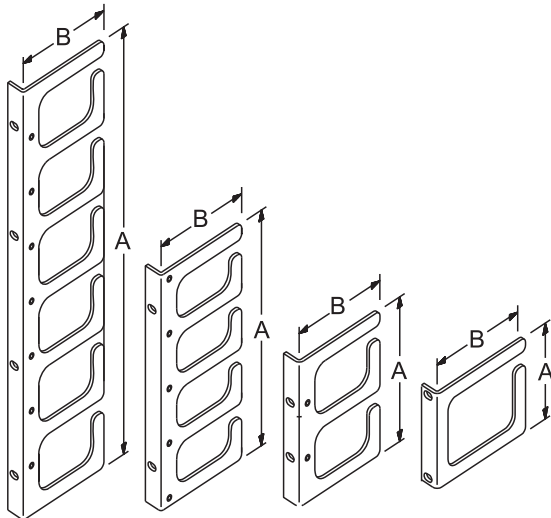


Part Number	Description	Shipping Weight lb (kg)
12891-703	7U, Black	2 (0.9)
12891-701	9U, Black	4 (1.8)
12891-702	13U, Black	4 (1.8)

Horizontal Cable Guides

Rack-Mounted cable guides organize multiple horizontal cable runs. Designed to use with most rack-mounted panels.

- Slotted loop design makes cable installation and changes quick and simple
- Made of thick aluminum and black plastic dipped to reduce cable insulation damage
- Sold in matching pairs
- Threaded side holes allow mounting of vertical cable loop (P/N 10683-001)



Part Number	Description	Dim. A in (mm)	Dim. B in (mm)
10419-001	One Loop	3.46 (87.9)	4.25 (108.0)
11157-001	Two Loop	5.25 (133.4)	3.88 (98.6)
11154-001	Four Loop	8.60 (218.4)	3.88 (98.6)
11153-001	Six Loop	15.60 (396.2)	3.88 (98.6)