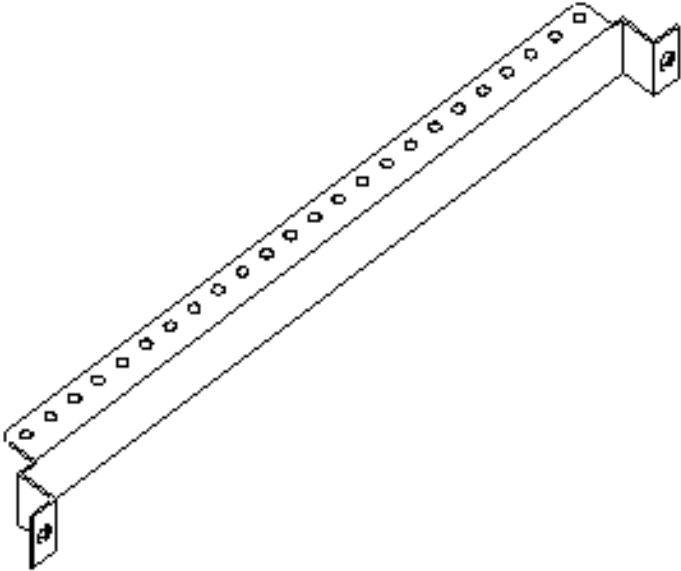


## Strain Relief 19" Rack Mount



### Features

- Provides rack mounted horizontal strain relief per TIA/EIA-568A
- 19" rack mount
- Wire tie holes provide wire perpendicular to termination point

### Specifications

- Constructed from 14 gauge steel
- Zinc plated

Copyright © 2004 Southwest Data Products

