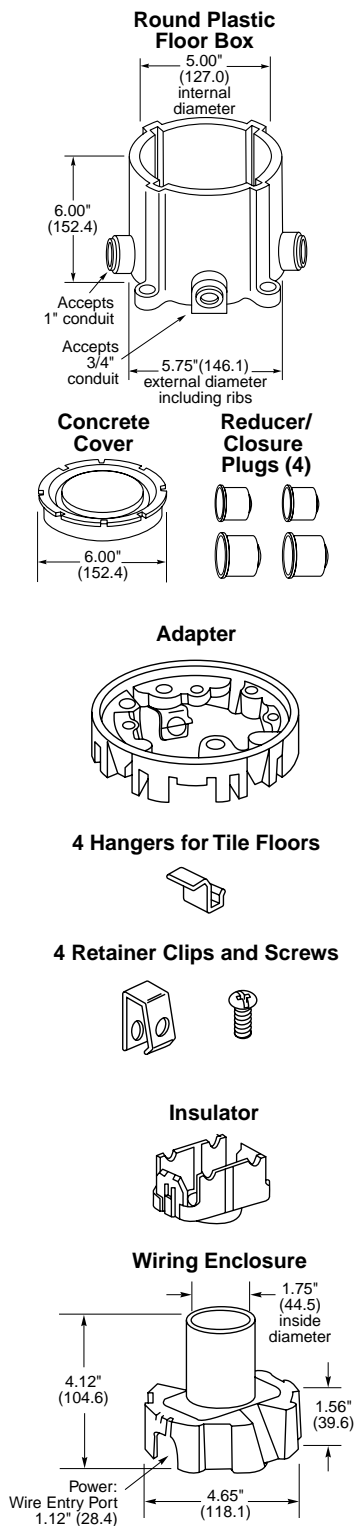


Floor Boxes

Round Non-metallic



Follow the three easy steps below - step one, select the round non-metallic floor box and adapter ring for your application and if required, step two, order your low voltage divider for multi-service applications. Single service capability is available also, as is your choice of metallic and nonmetallic covers as defined in step three options.

Step 1: Catalog numbers PFB1, PFBA1A. Order round non-metallic floor box and adapter ring.

Catalog Number PFB1

Consists of one floor box, one concrete cover, four reducers/closure plugs.

Specifications

Material	PVC
Depth of Pour	3.00" (76.2) minimum.
Capacity	100 cubic inches (1638.7 cm ³) or 19.5 cubic inches (319.5 cm ³) per inch of depth (prior to cutting level to floor).
Hubs	Four entry hubs two 1" & two 3/4".
Reducer/Closure Plugs	Dual purpose plugs close off unused hubs or act as reducers.
Plug Dimensions	Two 1" plugs close off 1" hub or reduce 1" hub to 3/4". Two 3/4" plugs close off 3/4" hub or reduce 3/4" hub to 1/2".
Conduit Selection	Accepts 1/2", 3/4", 1" schedule 40 and schedule 80 rigid PVC conduit, and E.N.T. (electrical non-metallic tubing).

UL File No. E92074

*Notes: Accepts steel conduit if female adapter PVC fittings are used.
Use catalog number PFBYA1 3/4" "Y" adapter to feed parallel runs of 3/4" conduit.*

Step 2: Adapter, Required in all Installations

Catalog Number PFBA1A

Includes: Four hangers for tile floors, four retainer clips and screws.

Specifications

Material	PVC
Function	Required for each PFB1 floor box (accepts plastic and metallic floor box covers).

Mounting Hardware

Retainer Clips	Mechanically fasten adapter to PFB1 floor box with retainer clips and screws. Clips slide into slots in box wall.
Hangers	Four hangers snap onto adapter and provide added support (used in tile floor applications that utilize a metallic cover but no carpet flange).

Step 3 : Catalog number PFBT1A. Required for multi-service applications only. Order low voltage divider.

Catalog Number PFBT1A

Low voltage divider for multi-service applications. Consists of one insulator and one wiring enclosure.

Specifications

Material	PVC
Low Voltage Divider	Installs inside PFB1 floor box for multi-service applications. Use separate conduit runs for power and voice/data cables.
Insulator	Accepts Hubbell standard duplex receptacles or 15A Twist-Lock® duplex receptacles (HBL4700 series). Separates receptacle from low-voltage wiring.
Wiring Enclosure	Power Capacity: 19.60 cubic inches (321.2cm ³) plus 2.40 cubic inches (39.3 cm ³) per inch of tube.