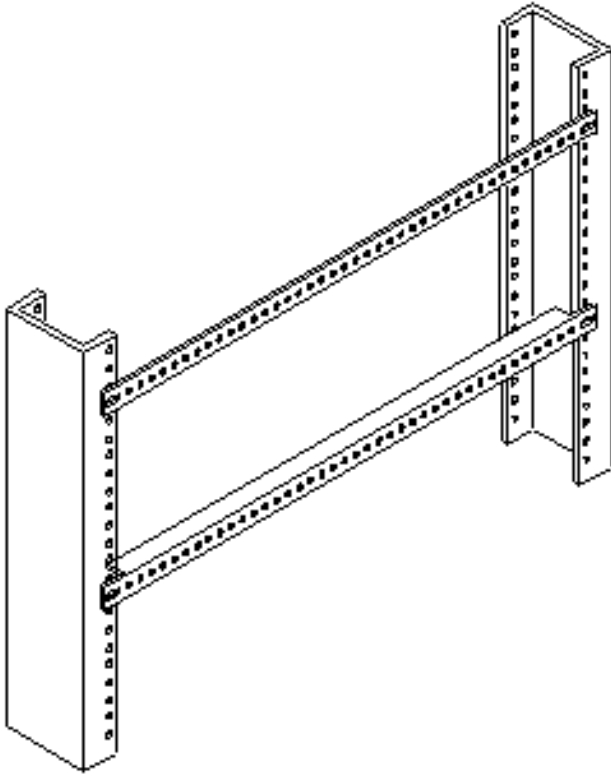


## Rack Mounted Block Mounting Bar



### Features

- Provides rack mounting for terminal blocks (66 and 110 types) and other equipment
- Tapped holes provide an infinite combination of mounting possibilities

### Specifications

- Sold individually
- Constructed from heavy duty cold rolled steel angle
- Hole pattern is tapped #10-32
- 19" rack mount
- Zinc plated finish

Copyright © 2004 Southwest Data Products

