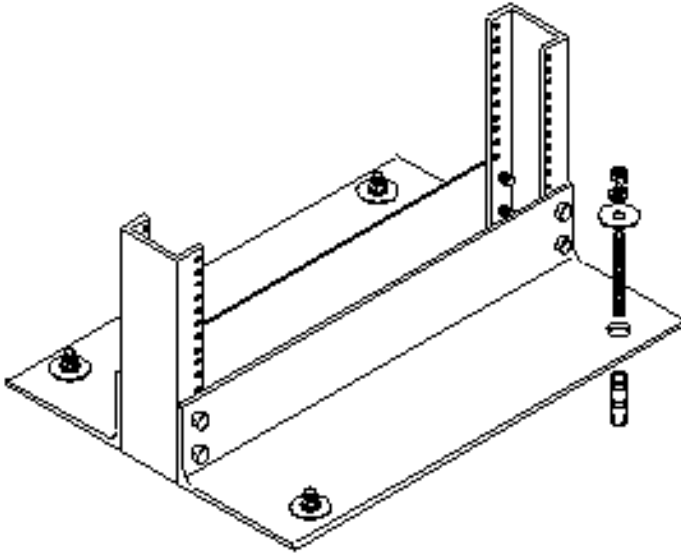


Concrete Floor Rack Installation Kit



Features

- Hardware to secure all SWDP racks to concrete floor
- Fits 19" and 23" racks

Specifications

- Each kit contains:
 - (4) 3/8"-16 concrete anchors
 - (4) 3/8"-16 x 3-1/2" studs
 - (4) 3/8" split washers
 - (4) 3/8"-16 hex nuts
 - (4) 3/8" fender washers

Copyright © 2004 Southwest Data Products

