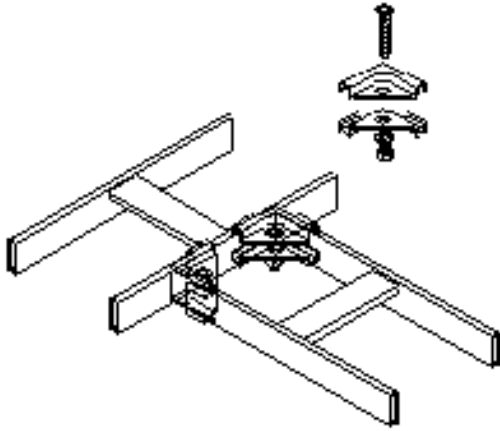


Junction Splice Kit



Features

- Used to make a 90 degree splice with 1-1/2" x 3/8" type cable runway
- Usable on tubular and solid type cable runway

Specifications

- Formed steel construction
- Gold zinc plated
- Each kit contains:
 - (4) splice plates
 - (2) 3/8"-16 x 1-3/8" bolts
 - (2) 3/8"-16 hex nuts
 - (2) 3/8" split washers

Photo:

[SWE2302](#)

Copyright © 2004 Southwest Data Products

