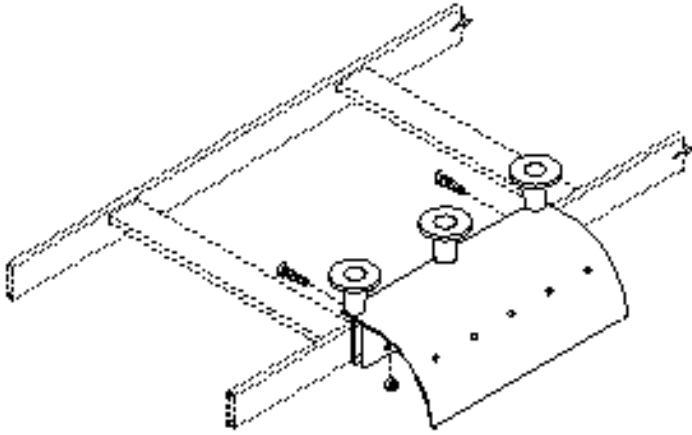


Cable Runway Stringer Radius Drop



Features

- Provides 3" bend radius
- Fits all cable runway made from 1-1/2" x 3/8" tubing
- Usable on tubular or solid type cable runway
- Easy installation using a simple bolt on method
- Sold individually
- Colors available (Color code):

IBM White (W)
 ASA 61 Gray (G)
 Black (BLK)
 Gold Zinc Plated (GZ)

Specifications

- Formed steel construction
- Each kit contains:
 - (1) Stringer drop
 - (1) Bolt
 - (1) Hex nut
 - (3) Cable spools

Ordering Information

SWE2101 Cable Runway Stringer
 Radius Drop

To order: Add color code to end of part number, e.
 g. SWE2101BLK

Copyright © 2004 Southwest Data Products

