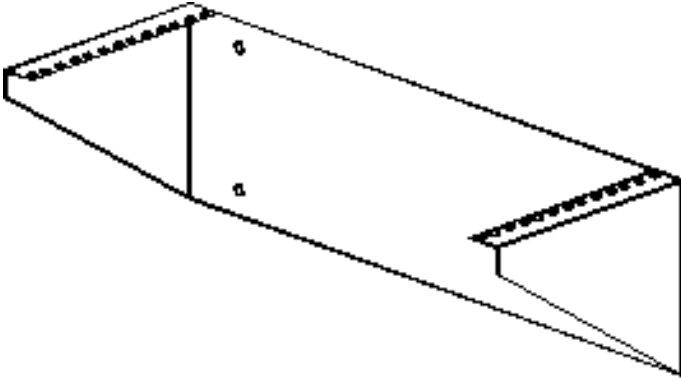


Flush Mount Wall Bracket



Features

- 19-inch rack mounting units
- Formed construction for strength
- Space saving design
- Black powder coat finish

Specifications

- 14 gauge carbon steel formed construction
- Mounting holes on standard EIA spacing
- Black color

Ordering Information

SWE611	Bracket 2.25" deep x 2.25" high
SWE612	Bracket 4.0" deep x 4.0" high
SWE613	Bracket 5.75" deep x 5.75" high
SWE614	Bracket 7.5" deep x 7.5" high
SWE615	Bracket 9.25" deep x 9.25" high
SWE616	Bracket 11.0" deep x 11.0" high
SWE617	Bracket 12.75" deep x 12.75" high

Copyright © 2004 Southwest Data Products

