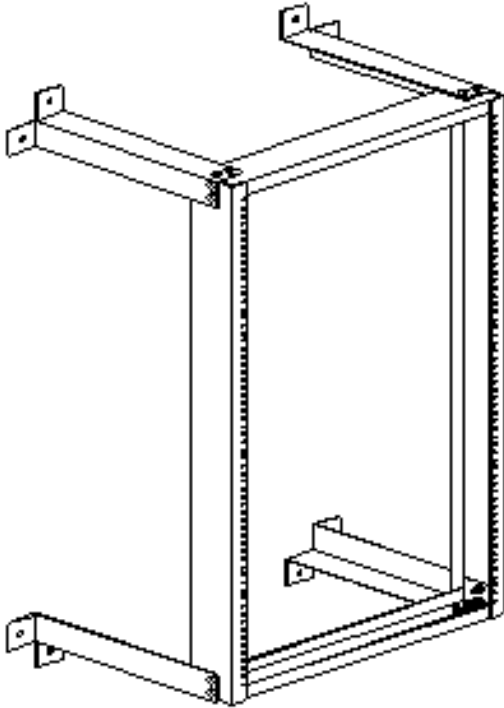


Wall Mounted Equipment Racks



Features

- 19" wide rack mounting units
- Mounting holes tapped #10-32 on EIA standard spacing, front side only
- Available in 16", 25" & 39" heights and 6", 14" and 20" depths
- High strength steel construction
- Includes assembly hardware and (20) #10-32 rack screws
- Holds up to 200 lb when securely mounted to wall or backboard using all eight leg mounting holes
- Choice of colors

Specifications

- 19" rack mount tapped #10-32
- 12 gauge steel construction
- Colors available (Color code):

IBM White (W)

Black (BLK)

Ordering Information

SWE540 16"Hx6"D Wall Mounted Rack

SWE541 16"Hx14"D Wall Mounted Rack

(7 rack spaces)

SWE542 25"Hx6"D Wall Mounted Rack

SWE543 25"Hx14"D Wall Mounted Rack

SWE544 25"Hx20"D Wall Mounted Rack

(12 rack spaces)

SWE545 39"Hx6"D Wall Mounted Rack

SWE546 39"Hx14"D Wall Mounted Rack

SWE547 39"Hx20"D Wall Mounted Rack

(20 rack spaces)



To order: Add color code to end of part number, e.
g. SWE540BLK

Photos:

[SWE540](#)

[SWE546](#)

Copyright © 2004 Southwest Data Products

