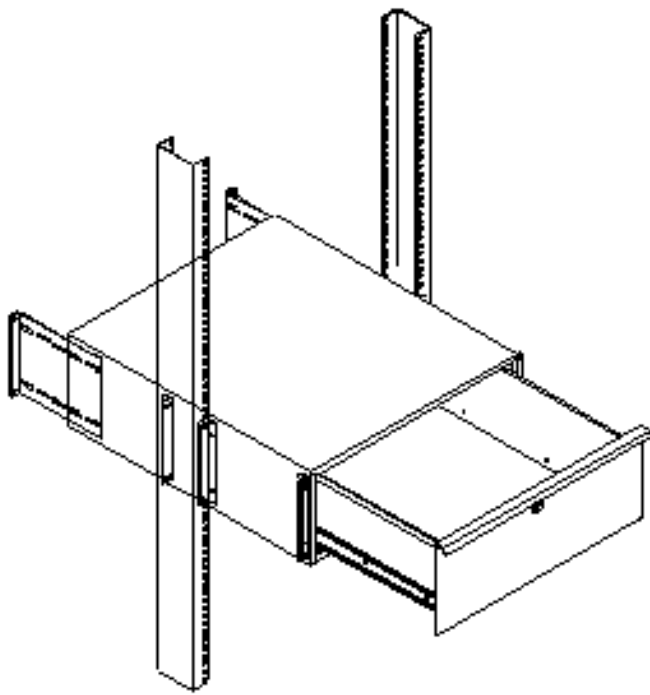


Lockable Storage Drawer



Features

- 19" wide rack mounting unit
- Formed and welded construction for strength
- Uses full ball bearing slides - 3/4 extension
- Mounting hardware provided
- Brackets included to allow four point (cabinet) center mount for equipment rack mounting
- Mounting brackets are adjustable to allow for different cabinet depths and mounting rail placements
- Choice of colors

Specifications

- 75 lb weight capacity
- 17" wide x 20" deep x 8" high
- Constructed from carbon steel for powder coated versions
- Aluminum construction for clear finish versions
- Mounting hardware holes on standard EIA spacing
- Colors available (Color code):

IBM White (W)
 IBM Blue (BLU)
 ASA 61 Gray (G)
 Black (BLK)
 Clear Brushed (CLR)

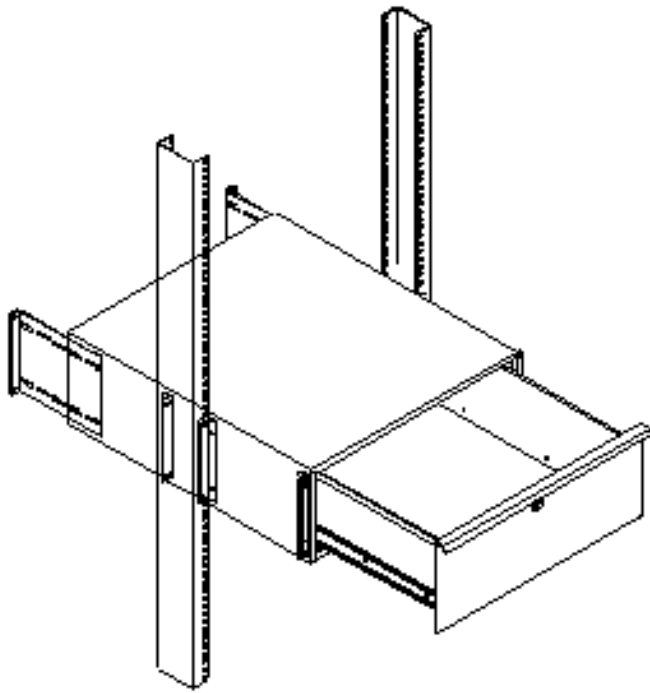
To order: Add color code to end of part number, e. g. SWE836BLK

Photo:

[SWE836](#)



Lockable Storage Drawer (23" Rack Mount)



Features

- 23" wide rack mounting unit
- Formed and welded construction for strength
- Uses full ball bearing slides - 3/4 extension
- Mounting hardware provided
- Brackets included to allow four point (cabinet) center mount for equipment rack mounting
- Mounting brackets are adjustable to allow for different cabinet depths and mounting rail placements
- Choice of colors

Specifications

- 75 lb weight capacity
- 21" wide x 20" deep x 8" high
- Constructed from carbon steel for powder coated versions
- Aluminum construction for clear finish versions
- Mounting hardware holes on standard EIA spacing
- Colors available (Color code):

IBM White (W)
 IBM Blue (BLU)
 ASA 61 Gray (G)
 Black (BLK)
 Clear Brushed (CLR)

To order: Add color code to end of part number, e. g. SWE836-23BLK

Photo:

[SWE836](#)

