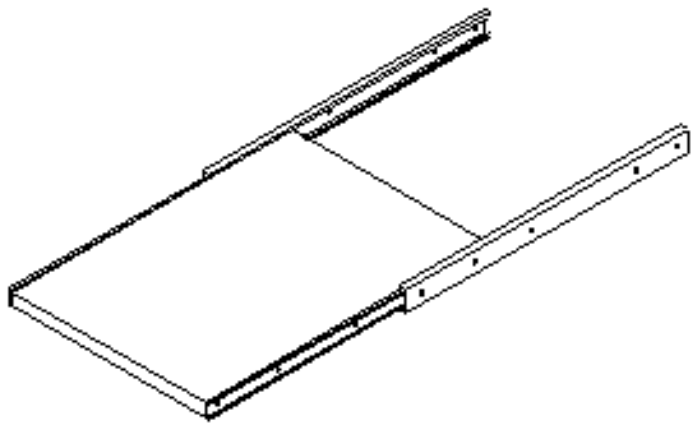


Heavy Duty Roll Out Shelf



Features

- 19" wide rack mounting unit
- Heavy duty formed construction for stiffness
- Uses full ball bearing slides - 100% extension for full access to equipment
- Mounting hardware provided
- Engineered to hold heavier equipment such as file servers and routers
- Choice of colors

Specifications

- 200 lb weight capacity
- 17" wide x 24" deep
- Constructed from carbon steel
- Mounting hardware holes on standard EIA spacing
- Colors available (Color code):

IBM White (W)
IBM Blue (BLU)
ASA 61 Gray (G)
Black (BLK)

Note: Cabinet must be equipped with front and back mounting rails.

To order: Add color code to end of part number, e. g. SWE704-HDBLK

Copyright © 2004 Southwest Data Products

