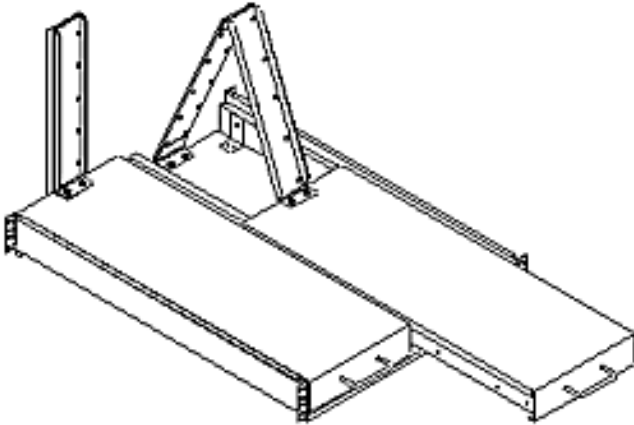


## Dual Tower Roll Out Shelf



### Features

- Provides two separate sliding trays
- Each tray pulls out independently
- Each tray has its own articulating cable management arm
- Each tray supports 100 lb
- Formed construction for stiffness
- 19" wide rack mounting unit
- Uses full ball bearing slides - full extension
- Mounting hardware provided
- Choice of colors

### Specifications

- 100 lb weight capacity per tray
- 17" wide x 24" deep
- Constructed from carbon steel
- Mounting hardware holes on standard EIA spacing
- Colors available (Color code):

IBM White (W)

IBM Blue (BLU)

ASA 61 Gray (G)

Black (BLK)

**Note:** Cabinet must be equipped with front and back mounting rails.

**To order:** Add color code to end of part number, e. g. SWE704-DTBLK

### Photo:

[SWE704-DT](#)

