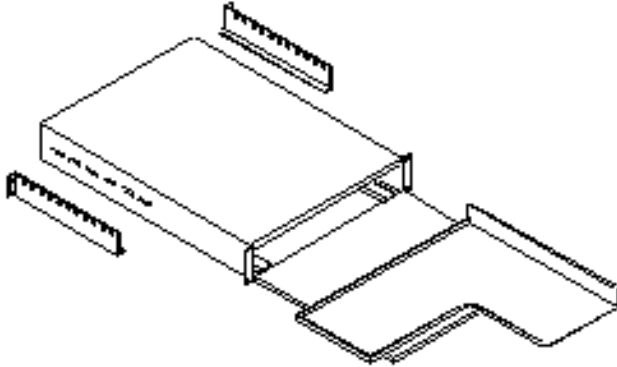


## Monitor Shelf and Articulating Keyboard Tray



### Features

- 19- or 23-inch rack mounting unit
- 24" deep unit has adjustable mounting brackets to fit rail spacing from 18" to 28"
- Keyboard tray with built in mouse pad articulates to allow full sized keyboards to be used in a 19" rack mounted cabinet
- Fits up to 19.25" wide x 9" deep keyboards
- Keyboard tray and mouse pad retracts flush when not in use and stores inside monitor shelf
- Choice of colors

### Specifications

- Sturdy .090 aluminum formed construction
- Monitor shelf supports up to 200 lbs.
- Mounting holes on standard EIA spacing
- Colors available (Color code):

IBM White (W)  
 ASA 61 Gray (G)  
 Black (BLK)  
 Clear Brushed (CLR)

### Ordering Information

SWE2249	Monitor shelf and articulating keyboard tray with built in mouse pad - 19" RM
SWE2249-23	Monitor shelf and articulating keyboard tray with built in mouse pad - 23" RM

**To order:** Add color code to end of part number, e. g. SWE2249BLK

### Photo:



[SWE2249](#)

Copyright © 2004 Southwest Data Products

