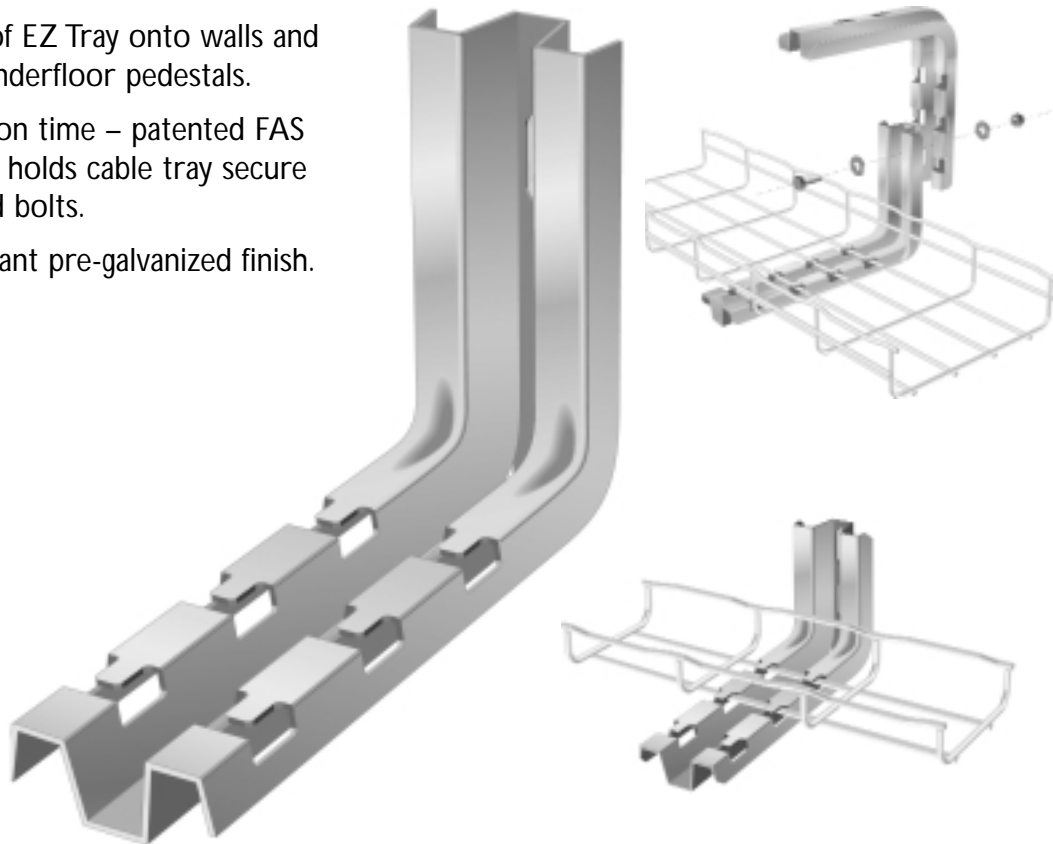


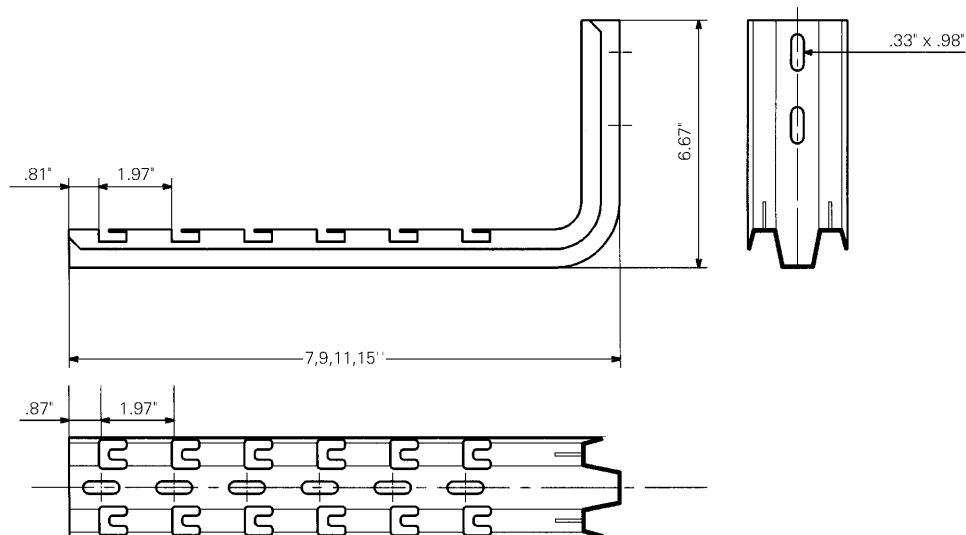
FAS L Brackets

EZTray™

- For installation of EZ Tray onto walls and attachment to underfloor pedestals.
- Reduce installation time – patented FAS style attachment holds cable tray secure without nuts and bolts.
- Corrosion resistant pre-galvanized finish.



FAS
FAST ASSEMBLING SYSTEM



Part #	Description	lb.	Pk. qty.	Safety load/lb.
FAS L100	4" FAS L Bracket	0.9	1	281
FAS L150	6" FAS L Bracket	1.0	1	216
FAS L200	8" FAS L Bracket	1.2	1	173
FAS L300	12" FAS L Bracket	1.4	1	119

CABLOFIL
NO.

INNOVATORS IN CABLE MANAGEMENT

tel 618-566-3230
800-658-4641
fax 618-566-3250
www.cablofil.com