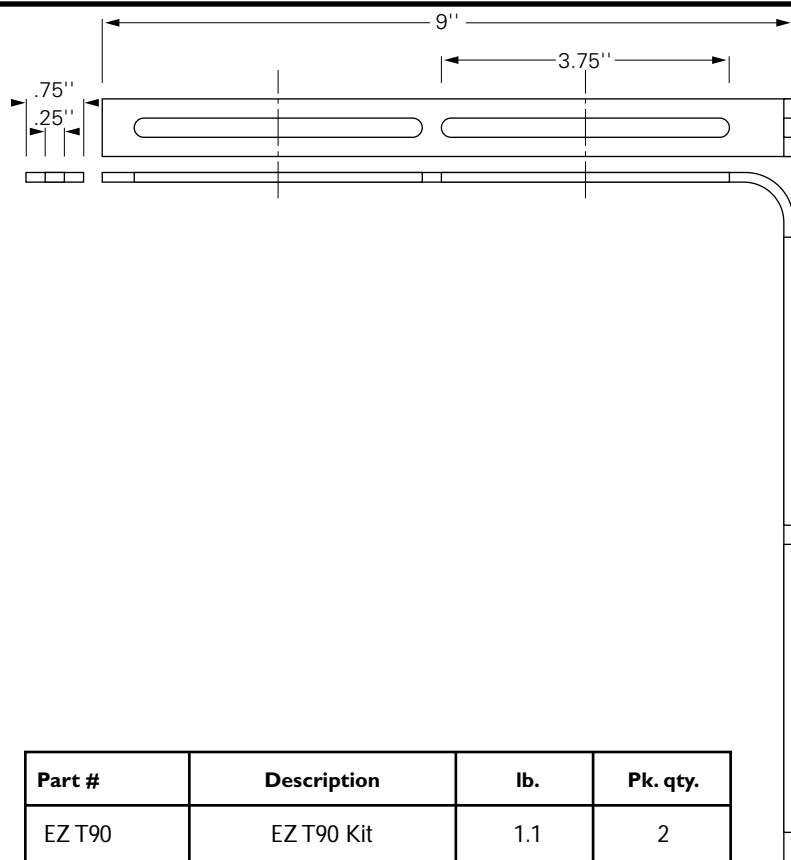
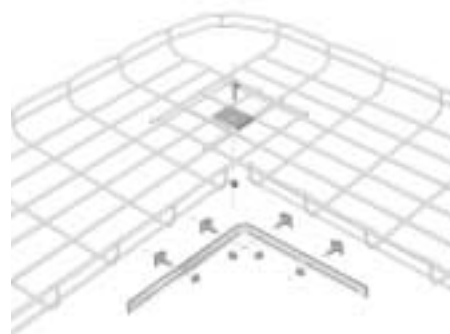
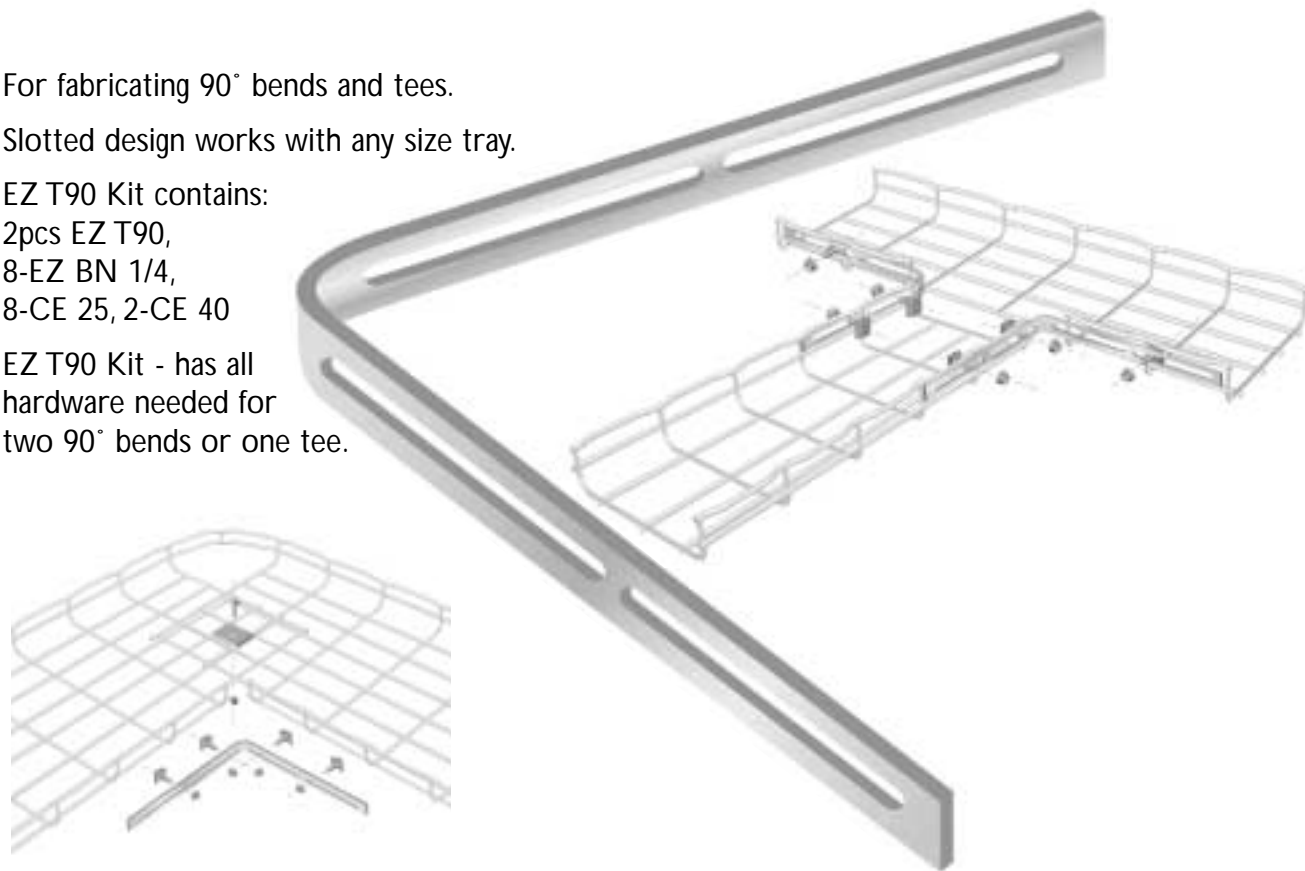


EZ T90 KIT

- For fabricating 90° bends and tees.
- Slotted design works with any size tray.
- EZ T90 Kit contains:
2pcs EZ T90,
8-EZ BN 1/4,
8-CE 25, 2-CE 40
- EZ T90 Kit - has all hardware needed for two 90° bends or one tee.



Part #	Description	lb.	Pk. qty.
EZ T90	EZ T90 Kit	1.1	2

CABLOFIL ^{INC.}

INNOVATORS IN CABLE MANAGEMENT

tel 618-566-3230
800-658-4641
fax 618-566-3250
www.cablofil.com