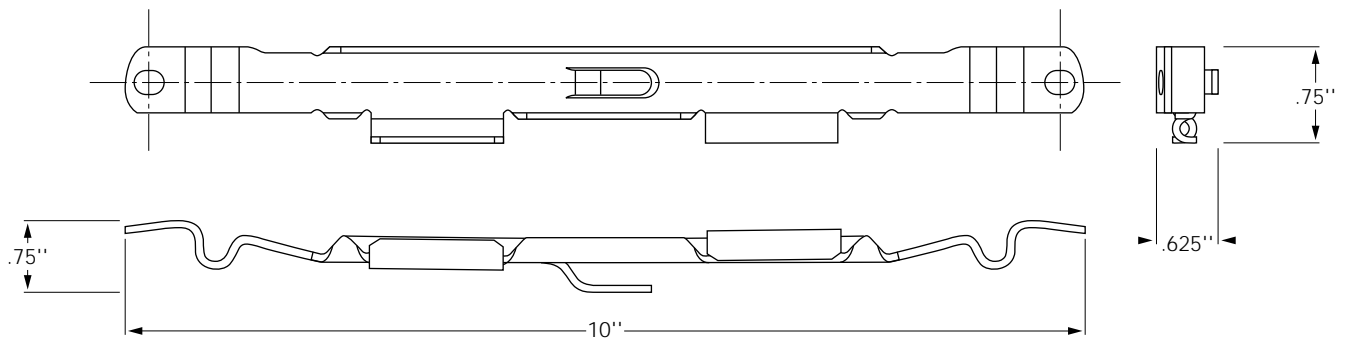
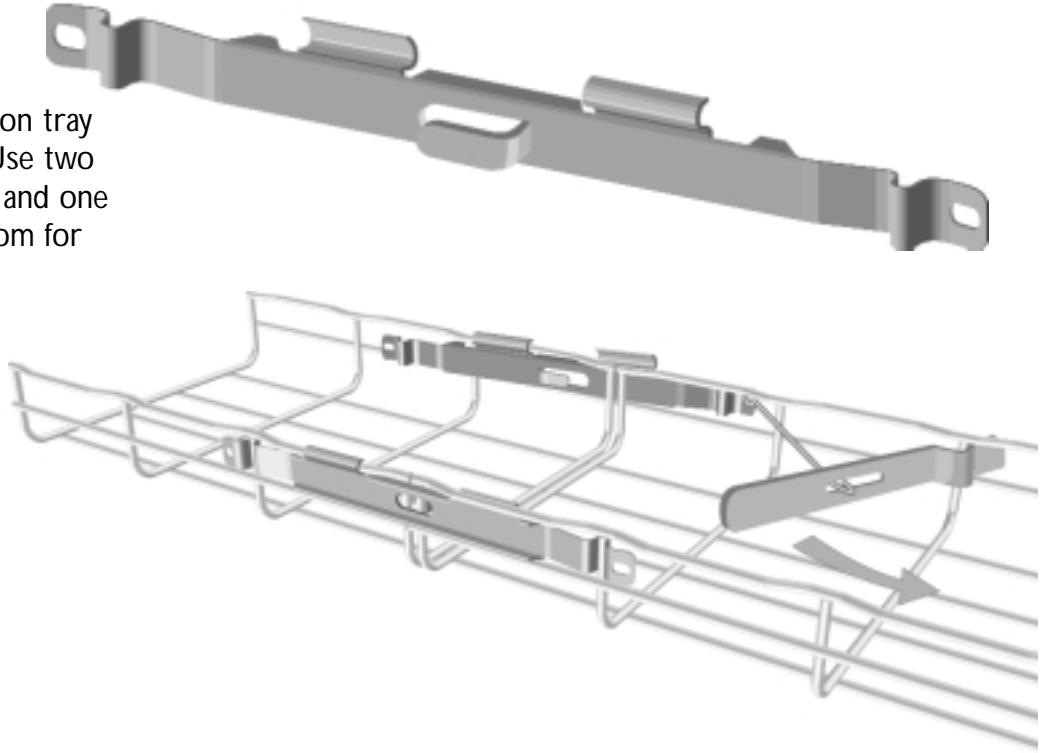


- EDRN is a stronger version of the EDR.
- Only 2 splices are needed to join 2 pieces of EZ Tray on tray widths up to 18". (Use two splices on the sides and one or two on the bottom for 24" tray.)
- Special assembly tool is included in every bag of splices.
- Saves up to 1/2 the installation time.
- Corrosion resistant electro zinc plated.



Part #	Description	lb.	Pk. qty.
EDRN	Fast Splice	8.0	50

Tool included in each bag.

## CABLOFIL<sup>®</sup>

INNOVATORS IN CABLE MANAGEMENT

tel 618-566-3230  
 800-658-4641  
 fax 618-566-3250  
[www.cablofil.com](http://www.cablofil.com)