

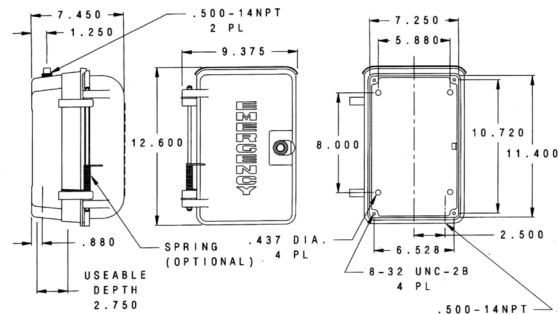
# WEATHER BEATER WEATHERPROOF TELEPHONES



distributed by **Graybar**

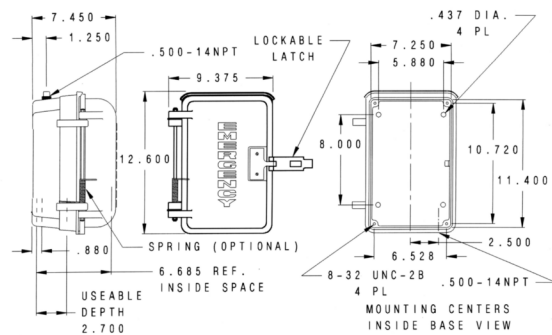
## GB90 SERIES

Wt: Housing Only .....11 lb  
Wt: e/w tel set .....14 lb



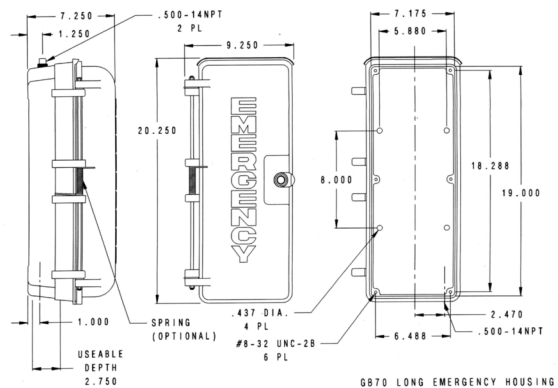
## GB59 SERIES

Wt: Housing Only .....12 lb  
Wt: e/w tel set .....15 lb



## GB70 SERIES

Wt: Housing Only .....15 lb  
Wt: e/w tel set .....20-21 lb



## GB32390 SERIES

Wt: .....5 lb

