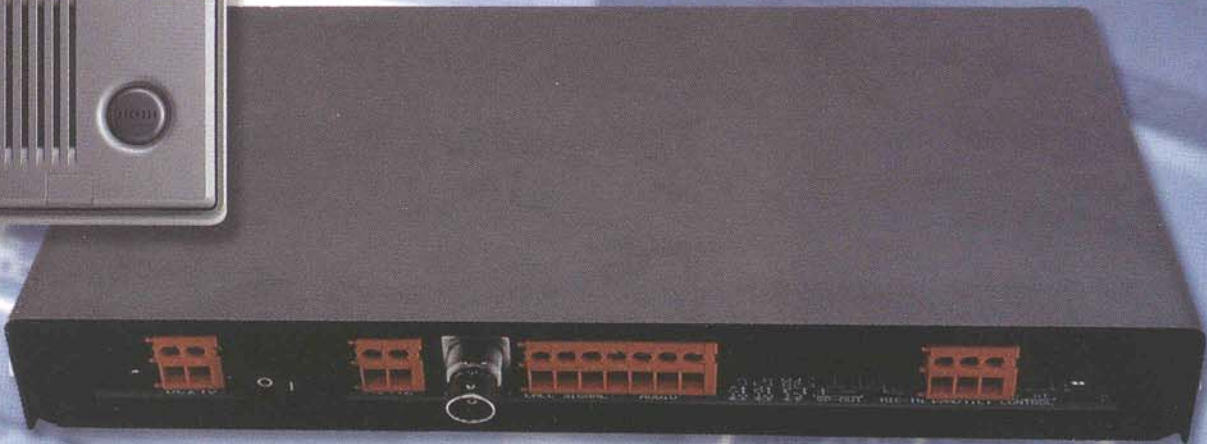




KCS-IFA Network Video Interface Adaptor Set



DESIGNED TO CONNECT A VIDEO DOOR STATION TO A LAN/WAN NETWORK



The KCS-IFA is a Video Network Interface Set. It includes a KC-DAR Video Door Station, a KC-IFA adaptor and a PS-2420UL power supply. A video server is also required to make the system function which is *not supplied* by Aiphone.

The system enables users to access the Aiphone KC-DAR door station by a PC through a Local Area Network (LAN) or a Wide Area Network (WAN). The KCS-IFA set provides a video entry solution not seen with previous Aiphone video entry systems.

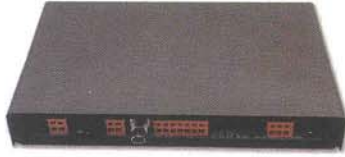
COMPONENTS



KC-DAR

Video Door Station

- Color camera with Tilt function
- Surface mount



KC-IFA

Network Video Interface Adaptor

- Allows one door station to communicate with a video server (*not included*)



PS-2420UL

Power Supply

- 24V DC

RECOMMENDED AND APPROVED VIDEO SERVERS*



AI-VJ100SA

VCS Controlware

(732) 919-0400



S1500e-TA

Smart Sight Network

www.smartsightnetworks.com

VIDEO SERVER FEATURES

VIDEO SERVER FEATURES	AI-VJ100SA	S1500e-TA
2-Way Audio	YES	YES
Contacts for tilt	YES	NO
Contact for door release	YES	YES
Call-in contacts	YES	YES
Bandwidth requirements	10 kbps ~ 1 Mbps	20 kbps ~ 2 Mbps
Video Encoding	H.323 or MPEG4	MPEG4, Simple Profile
Frames per second (fps)	30 fps	1 ~ 30 fps (Programmable)

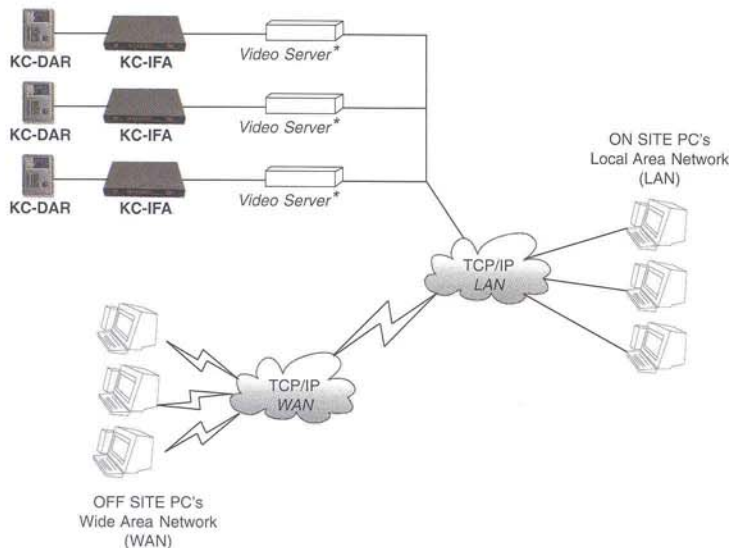
* Please note the above video servers are not included. They have been tested and approved by Aiphone as being compatible with the KCS-IFA set.

SET FEATURES

- Allows audio communication, camera control & door release via PC
- Visually identifies visitors from remote locations
- Any number of sets may be installed at a site
- Voice level adjustable
- Video signal level adjustable
- Selection of video servers available

DIAGRAM

Multiple configurations possible



SPECIFICATIONS

Power Source	24V DC, 2A
Current Consumption	400 mA, Max.
Video Out	NTSC, 1Vp-p
Audio In	10K Ohm
Audio Out	600 Ohm
Call-in Signal	N/O - COM - N/C, 24V DC @ 1A (Pre-set at .5 sec., adjustable to 30 sec.)
Tilt Up/Down	TTL/CMOS low level control
Weight	4.3 lbs
Dimensions (HxWxD)	1.7"H x 7.9"W x 9"D
KC-DAR to KC-IFA	2 parallel wires, non-polarized (*841802) 22 AWG = 165', 18 AWG = 330'

Aiphone Corporation

1700 130th Avenue, NE
Bellevue, WA 98005

Phone: (800) 692-0200 Fax: (425) 455-0071
www.aiphone.com/kcs.htm

Sold by:



ISO 14001
Certified

CERTIFIED
ISO 9001:2000



ISO 9001:2000
Certified



Deming
Prize